

**EVSEDO-AC011K-AE-25**

EVSEDO Smart Wallbox AC011K-AE-25, Type-2,  
3-phase, 16A, WIFI & BT, Black



**Charging station for electric vehicles with type 2 charging connection, alternating current, 3-phase, 11kW maximum charging power**

- Power supply with 3-phase connection
- Charging mode 3
- Max. charging power 11 kW
- DC-leakage detection
- RFID user authorization
- Control via mobile app
- LED strip for status information
- Communication via WIFI
- Eligible for KfW-439, 440 and 441 funding



With the Smart Wallbox EVSEDO-AC011K-AE-25, which is eligible for funding in accordance with KfW 439, 440 & 441, you have a stationary charging device with which you can safely and conveniently charge your electric vehicle in the private sector. Two model variants with 4m and 7m long charging cables are available to suit your personal installation situation and vehicle design.

Housed in a UV-resistant, dust- and water-resistant enclosure, which is also ideal for outdoor use, the wallbox does not have any mechanical controls. Instead, the charging process is started and ended contact-free using an RFID smart card or the app, which excludes unauthorized use by third parties. Alternatively, the device can be reconfigured into Plug&Charge mode, in which the connected vehicle exercises sole control over the charging process.

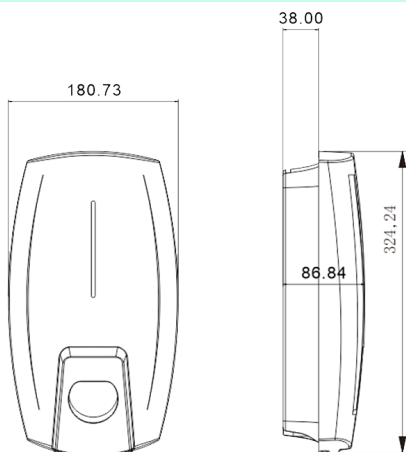
The charging station is connected to the Internet via the integrated WLAN, so that the charging process can be monitored and controlled by the user via an app at any time. A multicolored LED display on the front provides information about the current charging status if the smartphone is not at hand.

The charging station is suitable for vehicles with a type 2 connection and delivers a maximum charging capacity of 11kW. Since it must be permanently connected as a stationary device, we would like to point out that the installation and commissioning in accordance with DIN VDE 0100 may only be carried out by an authorized electrician.

IPC2U GmbH will be gladful to support you and will also help you with the application for KfW funding..

## TECHNICAL DATA

	EVSEDO-AC011K-AE-25/4m	EVSEDO-AC011K-AE-25/7m
<b>Configuration</b>		
User interface	LED display, RFID card reader	LED display, RFID card reader
Material	Plastic	Plastic
Installation type	Wall mounting	Wall mounting
Charging connector	Type 2 (IEC 62196 Type 2)	Type 2 (IEC 62196 Type 2)
Gross size	325x181x87mm ( LxWxH )	325x181x87mm ( LxWxH )
Net weight	3.01KG	3.5KG
Cable length	4 m	7 m
<b>Electrical parameter</b>		
Input voltage	AC400V±20%	AC400V±20%
Input frequency	50/60Hz	50/60Hz
Charging power	11 kW, configurable	11 kW, configurable
Output voltage	AC400V±20%	AC400V±20%
Maximum output current	16A	16A
RCD	6mA DC	6mA DC
Standby power	<3W	<3W
Protection class	I	I
Overvoltage category	CAT III	CAT III
<b>Operating environment</b>		
Location	indoors / outdoors	indoors / outdoors
Temperature	-30° C ~ +55° C	-30° C ~ +55° C
Humidity	5% ~ 95% Without condensation	5% ~ 95% Without condensation
Altitude	<2000m	<2000m
Protection level	IP65	IP65
Safety level	EN 61851-1: 2011, EN 61851-22: 2002	EN 61851-1: 2011, EN 61851-22: 2002
MTBF	100,000 hours	100,000 hours
<b>Protection</b>		
	Protection against overvoltage, undervoltage, overload, current leakage, earth fault, overtemperature, undertemperature.	
<b>Communication</b>		
	<ul style="list-style-type: none"> <li>WiFi / RS-485 (optional)</li> <li>Internet communication protocol: OCPP 1.6</li> </ul>	



### EVSEDO - AC 011K - AE - 25 / 7m

- cable length (4 or 7 metres)
- Generation home charger (2nd generation)
- A:Charging gun type 2; E:European standard
- Max Power - 11 kW
- Product Code of AC charger
- Model line – EVSEDO

Item number	EAN Code	Product name
57256900	4260696170203	EVSEDO-AC011K-AE-25/4m
57280300	4260696170210	EVSEDO-AC011K-AE-25/7m